

Cant.	Descriere
-------	-----------

1	SCALA2 3-45
---	--------------------



Notă! Poza de produs poate diferi de produsul actual

Nr. Produs: [93013252](#)

Grundfos SCALA2 is a fully integrated, self-priming, compact waterworks for pressure boosting in domestic applications.

SCALA2 incorporates integrated speed control, enabling perfect pressure at the taps, meaning that the pump performance automatically adjusts according to demand.

SCALA2 can be installed in three easy steps:

1. Connect the pipes.
2. Prime the pump.
3. Plug the pump into the power outlet, and the pump starts.

Grundfos SCALA2 has all the components necessary to ensure comfortable pressure:

- intelligent controller
- integrated speed-controlled drive
- integrated tank
- integrated sensors
- integrated inlet and outlet valves.

SCALA2 features self-priming which enables the pump to extract water from a level below the pump.

Once adequately primed, the pump is capable of effortlessly lifting water from depths down to 8 meters in less than 5 minutes.

The pump moreover guarantees a dependable water supply in situations where there is a risk of dry running and leakages in the inlet hose or pipes, thereby enhancing the overall reliability of the system.

In the event of dry running, water shortage, extreme temperature or if the pump becomes blocked due to seizure or overload, the pump automatically shuts down, preventing damage or motor burnout.

The pump features an automatic reset function.

In case of dry running or similar alarm, the pump stops.

The pump attempts to restart every 5 minutes for a total of 8 times.

After the 8th attempt, a new restart attempt occurs every 24 hours.

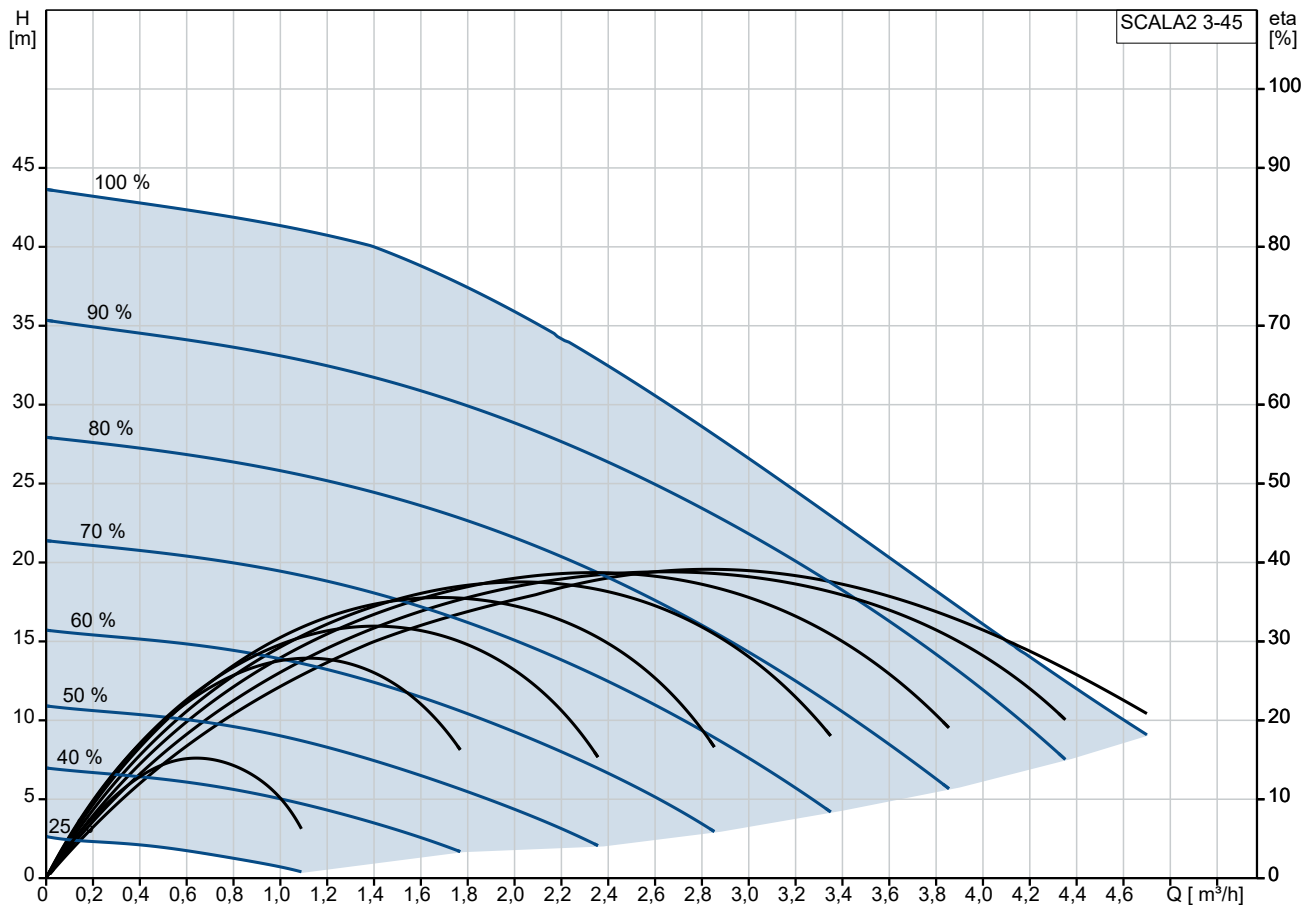
The automatic reset function can be deactivated.

Thanks to its hydraulic design, permanent-magnet motor and water cooling, the pump is extremely low-noise, 44 dB(A) in typical use, which makes it suitable for indoor as well as outdoor use. Maximum noise level at full load is 53 dB(A).

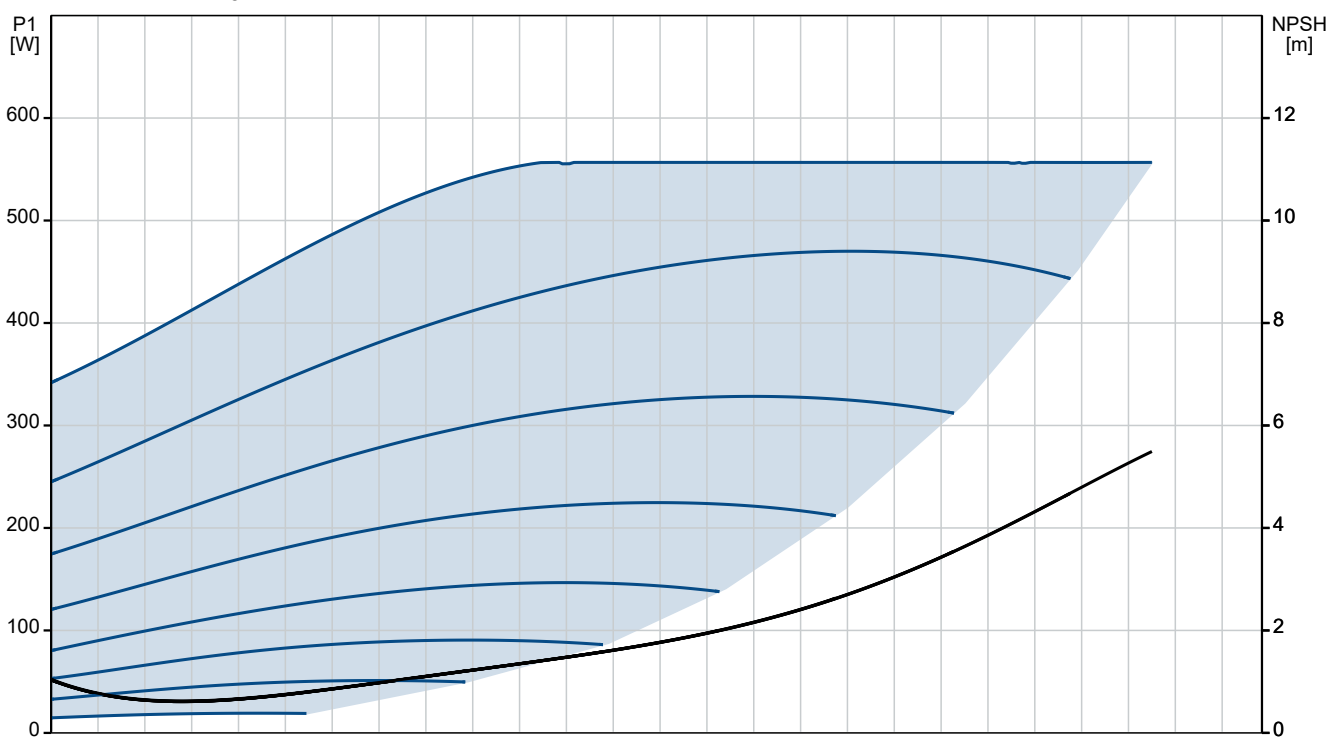
The built-in pressure tank reduces the number of starts and stops in case of leakages in the pipe system, thereby prolonging the lifetime of the pump.

Cant.	Descriere
1	<p>Control: Tipul conectorului: Type E/F (CEE7/7)</p> <p>Lichid: Lichid pompat: Apă Gama temperaturii lichidului: 0 .. 45 °C Temperatura lichidului în timpul funcționării: 20 °C Densitate: 998.2 kg/m³</p> <p>Tehnic: Debit nominal: 3 m³/h Debit maxim: 4.6 m³/h Înălțime de pompare nominală: 27 m Etanșare primară a arborelui: Carbon/Ceramic Aprobări: CE,VDE,MORO,UKCA,KC,SEPRO,AAA Aprobări pentru apă potabilă: KIWA,WRAS,ACS Toleranța curbei: ISO9906:2012 3B Turație max. pompă: 5200 rpm</p> <p>Materiale: Corpul pompei (stator): Composite Pump housing: NORYL FE1630PW PPE+PS-GS30 Rotor: Composite Rotor: NORYL FE1630PW PPE+PS-GS30</p> <p>Instalație: Gama temperaturii ambientale: 0 .. 55 °C Presiune de funcționare maximă: 10 bar Presiune maximă permisă pe aspirație: 6 bar Conexiune conductă standard: EN 10226-1 Tip conexiune aspirație: R Tip conexiune refulare: R Dimensiunea racordului de aspirație: 1 inch Dimensiunea racordului de refulare: 1 inch</p> <p>Date electrice: Intrare putere P1: 550 W Putere nominală - P2: 0.45 kW Frecvența rețelei electrice: 50 / 60 Hz Tensiune nominală: 1 x 200-240 V Minimum current consumption: 0.01 A Consum maxim de curent: 2.8 A Grad de protecție (IEC 34-5): X4D Clasa de izolare (IEC 85): F Lungime cablu de alimentare: 1.5 m Stecher: Stecher Schuko</p> <p>Altele: Greutate netă: 9.8 kg Greutate brută: 12.1 kg Volum de livrare: 0.043 m³ Intervalul temperaturii de stocare: -40 .. 70 °C Danish VVS No.: 385183245 Nr. RSK suedez: 5854027 Finlandeză LVI nr.: 4732548 Norwegian NRF nr.: 1365593 Țara de origine: RS Nr. tarif: 84137075</p>

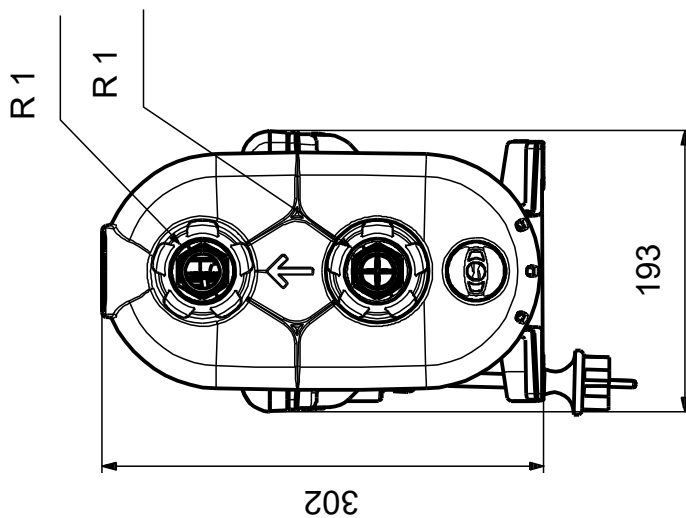
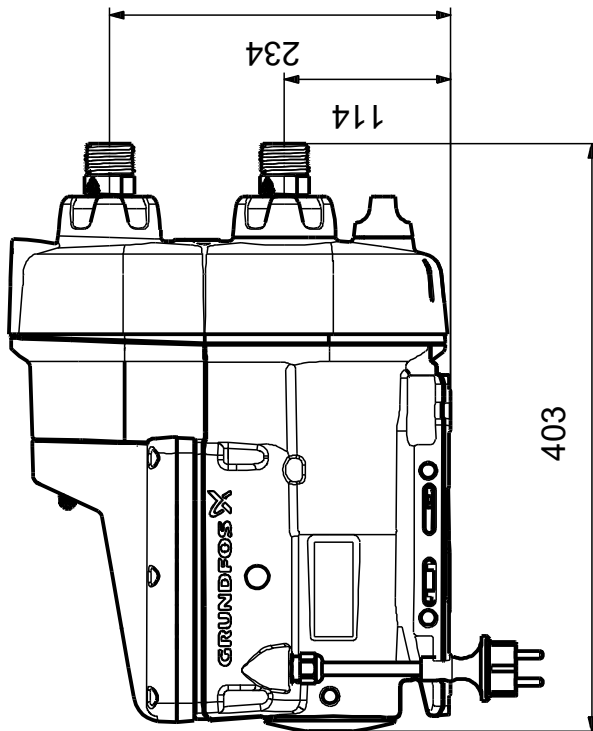
93013252 SCALA2 3-45



Lichid pompat = Apă
 Temperatura lichidului în timpul funcționării = 20 °C
 Densitate = 998.2 kg/m³



93013252 SCALA2 3-45



Notă: Toate unitățile sunt în [mm] dacă nu sunt altele specificate.
Negare: Acest desen dimensional simplificat nu prezintă toate detaliile.